

# REVIEW and REINFORCEMENT

## Reflection of Light

# Section 26-2

### KEY CONCEPTS

- ▲ The bouncing back of light is called reflection.
- ▲ The type of surface the light strikes determines the kind of reflection that is formed.
- ▲ Based on the shape of its surface, a mirror is classified as plane, concave, or convex.

### ■ Building Vocabulary Skills: Illustrating Terms

Match each of the following terms with the correct illustration.

concave mirror

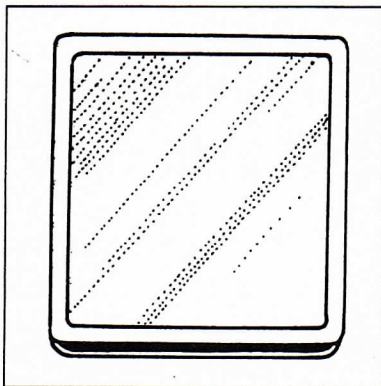
convex mirror

plane mirror

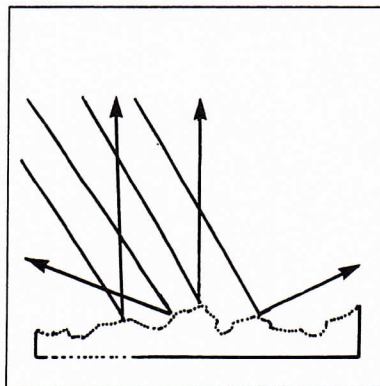
diffuse reflection

focal point

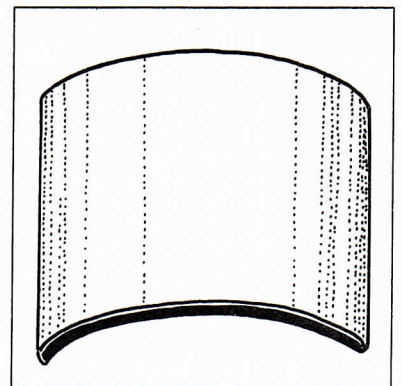
regular reflection



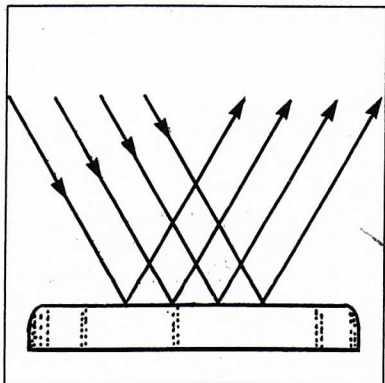
1. \_\_\_\_\_



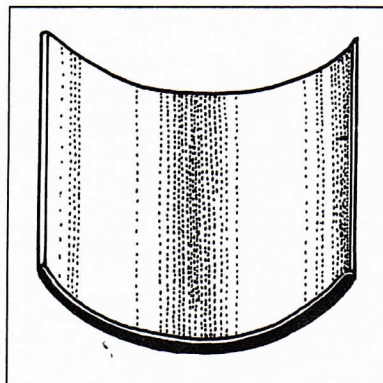
2. \_\_\_\_\_



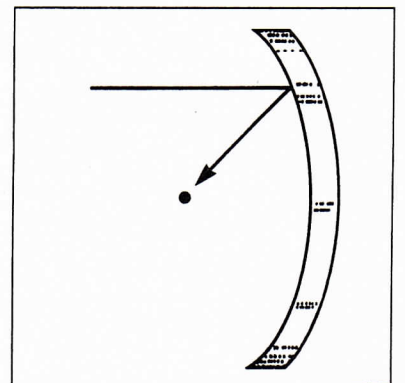
3. \_\_\_\_\_



4. \_\_\_\_\_



5. \_\_\_\_\_



6. \_\_\_\_\_

**■ Reviewing Concepts: Understanding the Main Ideas**

1. What is the law of reflection?

---

---

---

2. Why can you see your reflection in a shiny piece of metal but not in the pages of this book?

---

---

---

---

---

3. Explain how an image is produced in a plane mirror.

---

---

---

---

---

4. Why are concave mirrors used in reflecting telescopes?

---

---

---

5. Why are convex mirrors used in automobile mirrors and store security systems?

---

---

---

---

---